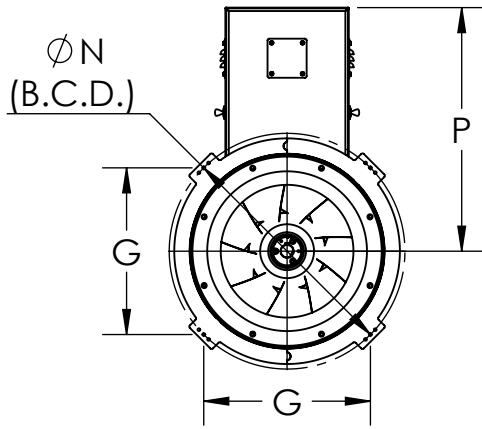


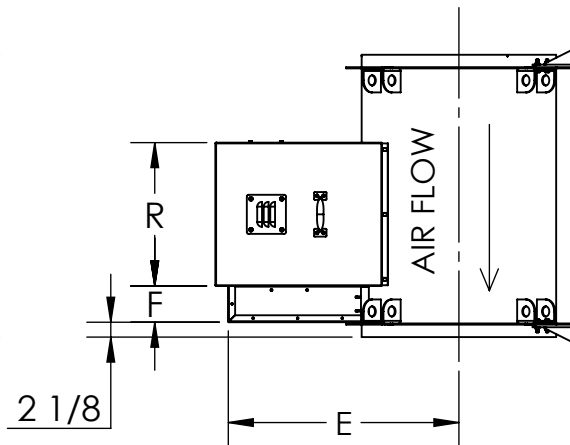
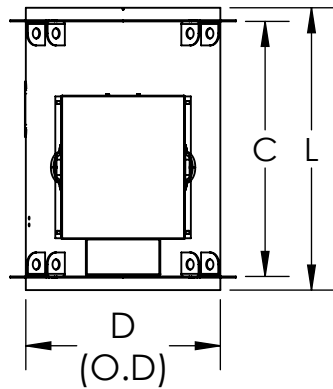


DATE: TAG:
 JOB:
 PROJECT:
 COMPANY:
 SALES PERSON:

MXI-ARRANGEMENT-9, LEVEL 2,
 VERTICAL DISCHARGE - DOWNBLAST



OUTLET VIEW



VERTICAL DOWNBLAST

DIMENSIONAL DATA

Size	C	D	E	F	G	L	N	P	R	MAX MTR FRAME SIZE	MXI FAN WEIGHT (LESS MOTOR) (LBS)	MXI W/ MTR CVR FAN WEIGHT (LESS MOTOR) (LBS)
122	21 1/2	17 15/16	25 1/2	3 7/16	16 13/16	25 1/8	23 3/4	27	16	184T	236	257
135	24 3/16	19 13/16	26 3/4	3 3/4	18 1/8	27 13/16	25 5/8	27 15/16	15 15/16	184T	271	295
150	27 1/4	21 15/16	28 1/4	4 1/8	19 11/16	30 7/8	27 13/16	31 1/8	20	215T	320	355
165	30 3/8	23 7/16	29 7/8	4 1/2	20 3/4	33 15/16	29 3/8	31 7/8	20	215T	358	394
182	33 7/8	25 13/16	31 13/16	4 15/16	22 1/2	37 7/16	31 13/16	35 9/16	24 13/16	256T	468	518
200	37 9/16	28 3/8	33 11/16	5 3/8	24 5/16	41 3/16	34 3/8	36 5/8	25	256T	546	601
222	42 1/16	31 7/16	35 5/8	5 15/16	27 1/8	45 11/16	38 3/8	38 3/16	25	256T	673	726
245	46 13/16	34 11/16	38 7/8	6 1/2	29 7/16	50 7/16	41 9/16	41 9/16	27 1/8	286T	796	863
270	51 15/16	38 3/16	41 5/16	7 3/16	31 15/16	55 9/16	45 3/16	42 11/16	27 1/8	286T	936	1000
300	58 1/8	42 7/16	42 13/16	7 15/16	35 5/8	61 3/4	50 6/16	45 7/16	27 1/8	286T	1154	1221
330	64 3/8	46 5/8	46 5/8	8 5/8	38 5/8	68	54 5/8	49 3/8	29 3/4	326T	1343	1423
365	71 1/2	51 5/8	52 1/4	9 9/16	42 1/8	75 1/8	59 9/16	54 1/16	31 5/8	365T	1878	1971
402	79 1/8	56 13/16	55 7/8	10 9/16	45 13/16	82 3/4	64 13/16	56 11/16	31 5/8	365T	2260	2359
445	88	62 7/8	59 5/8	11 5/8	50 13/16	91 5/8	71 7/8	62 3/16	35 3/4	405T	2732	2852
490	97 1/4	69 1/8	62 3/4	12 13/16	56 1/4	100 7/8	79 4/8	65 5/16	35 3/4	405T	3175	3280
542	107 15/16	76 7/16	67 3/8	14 1/8	62 1/8	111 9/16	87 7/8	68 15/16	35 3/4	405T	3753	3859
600	119 7/8	84 9/16	71 7/16	15 5/8	67 3/16	123 1/2	95 1/16	73	35 3/4	405T	4480	4585

ALL DIMENSIONS ARE IN INCHES

REVISION:

FORM:

REPLACES: